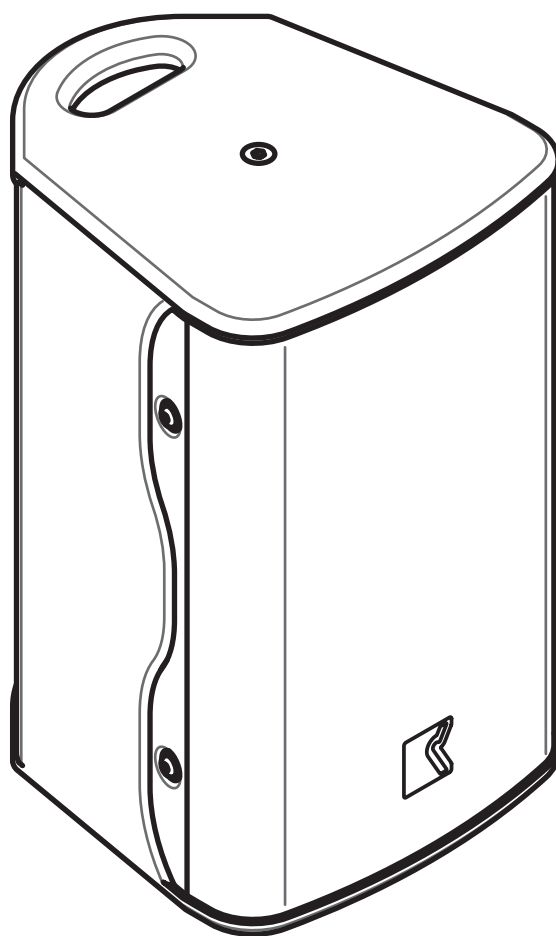


**ROUTINE**

# VEGAS 6.5

Super Compact Loudspeaker



USER MANUAL

## SAFETY REGULATIONS

Please read this manual carefully and in its entirety. It contains important information regarding safety issues, including guidelines for general safe use of rigging systems as well as advisories on government regulations and liability laws. The suspension of large, heavy objects in public places is subject

to numerous laws and regulations at the national/federal, state/provincial, and local levels. The user must assume the responsibility for making sure that the use of any rigging system and its components in any particular circumstance or venue conform to all applicable laws and regulations in force at the time.


## GENERAL SAFETY RULES

- Carefully read this manual in all its parts
- Respect the working load limits and maximum configurations of the elements and of any third-party component (such as suspension points, motors, rigging accessories, etc...)
- Do not incorporate any accessory not provided by Outline; all damaged or defective components must be replaced only by equivalent parts approved by Outline
- Ensure personnel health and safety, ensure that no one is standing below the system during the installation, ensure that all personnel involved in the installation are equipped with personal safety devices
- Always double check that the elements are correctly connected before suspending the system.

The rigging elements are easy to use, however the installation shall be carried out only by qualified personnel that are familiar with the rigging techniques, safety recommendations and with the instructions described in this manual.

All mechanical components are subject to wear and tear over prolonged use as well as corrosive agents, impacts or inappropriate use. For this reasons users have the responsibility to adopt and adhere to a schedule of inspections and maintenance. Key components (screws, connecting pins, welded points, rigging bars) must be inspected before every use. Outline strongly recommends to carefully inspect the system components at least once a year, reporting in a written document the date, the name of the inspector, the points checked and any anomalies discovered.

## DISPOSAL OF WASTE MATERIALS

 Your product is designed and manufactured with high quality material and components, which can be recycled and reused. When this crossed-out wheeled bin symbol is attached to a product, it means the product is covered by the European Directive 2002/96/EC and subsequent amendments. This means that the product must NOT be disposed with other waste. It is the user's

responsibility to dispose of their electrical and electronic equipment by handing it over to an approved re-processor. For more information about where you can send your equipment for recycling, please contact your local distributor. The correct disposal of your old product will help prevent potential negative consequences for the environment and human health.

## CONFORMITY AND WARRANTY

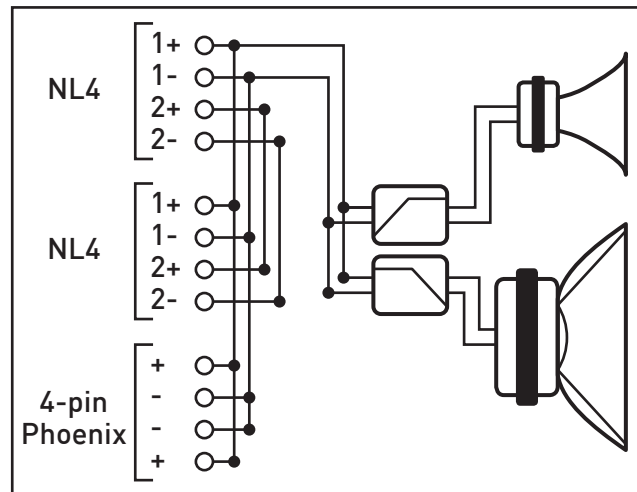
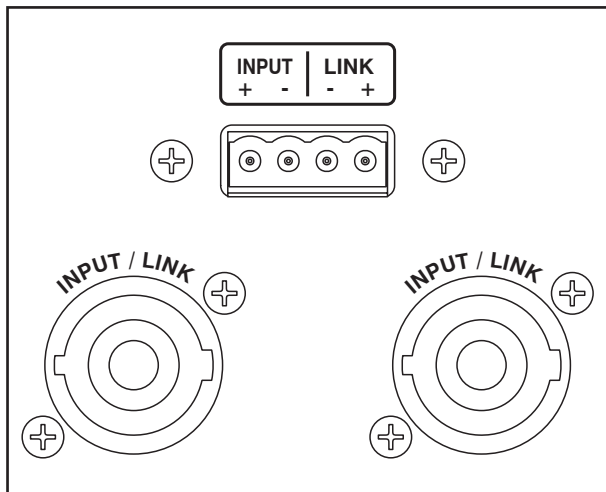
**CE** All the Outline electro-acoustic and electronic devices are in accordance with objects stated by CEE/EU directives.

The CE declaration of conformity and the warranty are printed on a document that is shipped with the product.

## AMPLIFIER CONNECTION

Vegas 6.5 is using a woofer and a compression driver with a passive cross-over. Vegas 6.5 requires just one amplification channel. The connections are available on two NL4 connectors and on a 4-pin phoenix connector. Both connections are in parallel

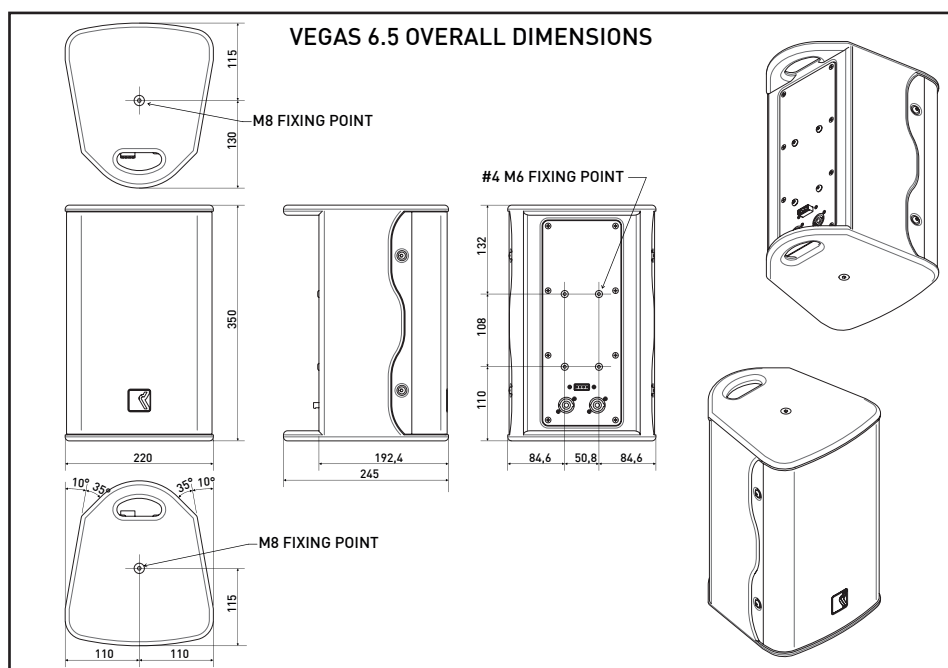
to facilitate wiring on portable and installed systems. The system requires an adequate amplifier and an external processor to limit high input signals that could damage the components.



## RIGGING INSTRUCTIONS

This system offers many rigging possibilities: four M6 screws on the rear panel allow to use proper rigging accessories to rig the speaker. An M8 screw on the top can be removed to use a standard truss clamp. An additional M8 screw on the bottom of the

speaker can be also used for custom accessories. When the systems are rigged, Outline recommends to always use a secondary safety using the available fixing points or the handles.





Outline carries out on-going research for product improvement. New materials, manufacturing methods and design upgrades are introduced to existing products without prior notice as a routine result of this philosophy. For this reason, any current Outline product may differ in some aspect from its description, but will always equal or exceed the original design specifications unless otherwise stated.

© Outline 2017  
Operating manual product code: Z OMVEGAS6.5  
Release: 170606  
Printed in Italy