

## iP Series Loudspeakers

Mackie iP Series Install Performance Loudspeakers are designed exclusively for a wide range of installed sound reinforcement applications. Behind each iP loudspeaker's clean, professional look are high-output, custom-designed woofers and premium 1.4" titanium diaphragm compression drivers delivering rich, articulate full-bandwidth response. Ample rigging points support vertical and horizontal rigging and a choice of Neutrik® or terminal connections provides install flexibility. Optional ceiling and wall mounts are available for aesthetically demanding venues. Plus, the companion iP-18S 18" subwoofer is perfect for additional low-frequency response and output in larger applications. Add the SP260 speaker processor with iP presets for quick setup and flawless sonic performance.

### iP FULL-RANGE MODELS FEATURES:

- Low-profile installation loudspeaker.
- High-output ceramic woofer with voice coil for maximum output.
  - iP-10 – 10" woofer / 2" voice coil
  - iP-12 – 12" woofer / 2.5" voice coil
  - iP-15 – 15" woofer / 2.5" voice coil
- 1.4" titanium compression driver provides smooth, consistent high-frequency response.
- 8 × M10 rigging points and rotatable 90° x 50° horn for vertical/horizontal rigging (PA-A2 accessory).
- Optional ceiling and wall mount accessories meet the needs of the most aesthetically demanding venues (iP-CM100 & iP-WM100 accessories).
- Rotatable center logo allows for clean presentation in all configurations.
- Convenient terminal strip connectivity saves time and cost.
- Dual Neutrik® parallel connectors.
- Lightweight, compact and durable 15mm poplar cabinet construction.
- Companion iP-18S 18" subwoofer extends low-frequency response and increases output in larger applications.
- Optional SP260 2x6 speaker processor delivers iP presets to get your system dialed in quickly.



### iP-18S SUBWOOFER FEATURES:

- 18" high-output installation subwoofer.
- 18" high-output ceramic woofer with 3" voice coil for maximum output.
- Convenient terminal strip connectivity saves time and cost.
- Dual Neutrik® parallel connectors.
- Lightweight, compact and durable 15mm poplar cabinet construction.
- Optional SP260 2x6 speaker processor delivers iP presets to get your system dialed in quickly.



**Like us**



**Follow us**



**Watch our dang videos**

## iP-10 TECHNICAL SPECIFICATIONS

### System

Type:	Two-way, full-range loudspeaker
Frequency Range (-10 dB):	50 Hz - 20 kHz
Horizontal Coverage Angle:	90°
Vertical Coverage Angle:	50°
Maximum SPL Peak	124 dB
Nominal Impedance:	8 Ω
Power Handling:	200 watts continuous 400 watts program
Crossover Frequency:	3 kHz

### Transducers

Low Frequency:	10" / 254 mm woofer, vented
High Frequency:	1.4" / 35 mm tweeter

### Physical

Input Connectors:	Two Neutrik NL4MP 2-point screw terminal strip
Enclosure:	15 mm poplar with lightly textured black paint
Mounting:	Eight M10 rigging points

### Physical Properties (packaged product)

Height:	23.3 in / 593 mm
Width:	16.7 in / 425 mm
Depth:	16.7 in / 425 mm
Weight:	34.4 lb / 15.6 kg

### Physical Properties (product)

Height:	20.5 in / 520 mm
Width (Front):	12.0 in / 310 mm
Width (Rear):	6.8 in / 172 mm
Depth:	13.4 in / 340 mm
Weight:	26 lb / 11.8 kg

### Ordering Information

iP-10 10" 2-Way Installation Loudspeaker, US:	P/N 2045152-00
iP-10 10" 2-Way Installation Loudspeaker, CN:	P/N 2045152-05

## iP-12 TECHNICAL SPECIFICATIONS

### System

Type:	Two-way, full-range loudspeaker
Frequency Range (-10 dB):	45 Hz - 20 kHz
Horizontal Coverage Angle:	90°
Vertical Coverage Angle:	50°
Maximum SPL Peak	128 dB
Nominal Impedance:	4 Ω
Power Handling:	250 watts continuous 500 watts program
Crossover Frequency:	2.2 kHz

### Transducers

Low Frequency:	12" / 310 mm woofer, vented
High Frequency:	1.4" / 35 mm tweeter

### Physical

Input Connectors:	Two Neutrik NL4MP 2-point screw terminal strip
Enclosure:	15 mm poplar with lightly textured black paint
Mounting:	Eight M10 rigging points

### Physical Properties (packaged product)

Height:	25.1 in / 638 mm
Width:	18.3 in / 465 mm
Depth:	18.7 in / 475 mm
Weight:	42.8 lb / 19.4 kg

### Physical Properties (product)

Height:	23.0 in / 585 mm
Width (Front):	14.2 in / 360 mm
Width (Rear):	8.8 in / 223 mm
Depth:	14.9 in / 377 mm
Weight:	34.2 lb / 15.5 kg

### Ordering Information

iP-12 12" 2-Way Installation Loudspeaker, US:	P/N 2045153-00
iP-12 12" 2-Way Installation Loudspeaker, CN:	P/N 2045153-05

## iP-15 TECHNICAL SPECIFICATIONS

### System

Type:	Two-way, full-range loudspeaker
Frequency Range (-10 dB):	40 Hz - 20 kHz
Horizontal Coverage Angle:	90°
Vertical Coverage Angle:	50°
Maximum SPL Peak	126 dB
Nominal Impedance:	8 Ω
Power Handling:	300 watts continuous 600 watts program
Crossover Frequency:	2.5 kHz

### Transducers

Low Frequency:	15" / 381 mm woofer, vented
High Frequency:	1.4" / 35 mm tweeter

### Physical

Input Connectors:	Two Neutrik NL4MP 2-point screw terminal strip
Enclosure:	15 mm poplar with lightly textured black paint
Mounting:	Eight M10 rigging points

### Physical Properties (packaged product)

Height:	28.8 in / 732 mm
Width:	20.5 in / 520 mm
Depth:	22.4 in / 570 mm
Weight:	55.8 lb / 25.3 kg

### Physical Properties (product)

Height:	26.7 in / 677 mm
Width (Front):	17.5 in / 445 mm
Width (Rear):	11.5 in / 292 mm
Depth:	17.4 in / 441 mm
Weight:	45.2 lb / 20.5 kg

### Ordering Information

iP-10 15" 2-Way Installation Loudspeaker, US:	P/N 2045154-00
iP-10 15" 2-Way Installation Loudspeaker, CN:	P/N 2045154-05

## iP-18S TECHNICAL SPECIFICATIONS

### System

Type:	Subwoofer
Frequency Range (-10 dB):	35 Hz - 150 Hz
Maximum SPL Peak	132 dB
Nominal Impedance:	8 Ω
Power Handling:	400 watts continuous 800 watts program
Internal Low Pass Filter:	115 Hz, 12 dB/octave

### Transducers

Low Frequency:	18" / 457 mm woofer, vented
----------------	-----------------------------

### Physical

Input Connectors:	Two Neutrik NL4MP 2-point screw terminal strip
Enclosure:	15 mm poplar with lightly textured black paint

### Physical Properties (packaged product)

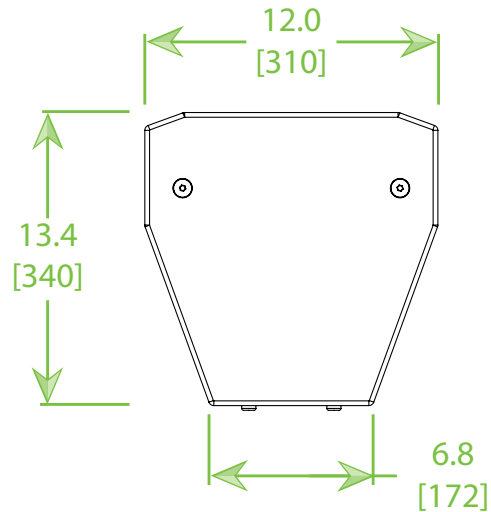
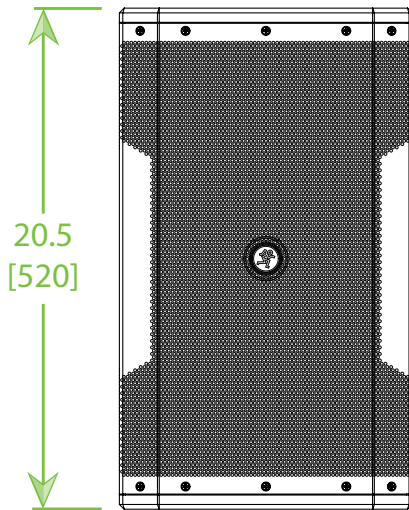
Height:	25.3 in / 643 mm
Width:	28.3 in / 720 mm
Depth:	29.8 in / 757 mm
Weight:	76.7 lb / 34.8 kg

### Physical Properties (product)

Height:	22.9 in / 581 mm
Width (Front):	22.2 in / 565 mm
Width (Rear):	22.2 in / 565 mm
Depth:	23.9 in / 608 mm
Weight:	58.8 lb / 26.7 kg

### Ordering Information

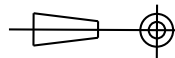
iP-18S 18" Installation Subwoofer, US:	P/N 2045155-00
iP-18S 18" Installation Subwoofer, CN:	P/N 2045155-05

**iP-10 DIMENSIONS**

**iP-10 NOTES:**

1. WEIGHT APPROX. 26 lb [11.8 kg].
2. SHIPPING WEIGHT APPROX. 34.4 lb [15.6 kg].

**iP-12 NOTES:**

1. WEIGHT APPROX. 34.2 lb [15.5 kg].
2. SHIPPING WEIGHT APPROX. 42.8 lb [19.4 kg].

**THIRD ANGLE PROJECTION**


THE INFORMATION CONTAINED  
 HEREIN IS PROPRIETARY AND  
 CONFIDENTIAL PROPERTY OF  
 LOUD TECHNOLOGIES, INC.  
 ALL RIGHTS RESERVED

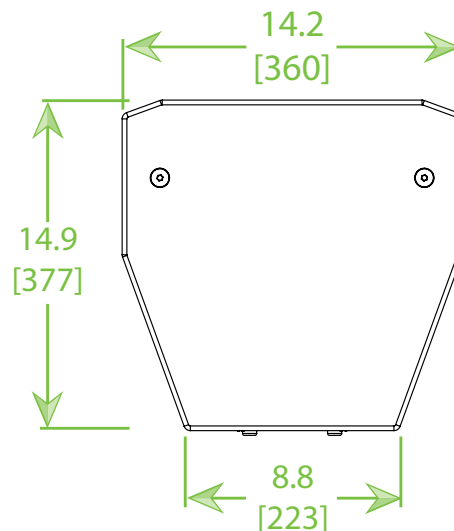
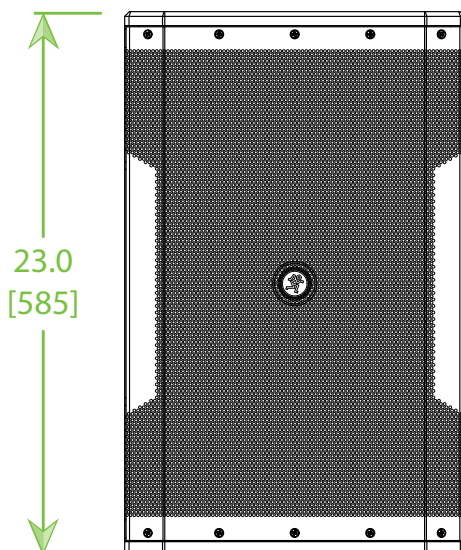
UNLESS OTHERWISE SPECIFIED:  
 ALL DIMENSIONS ARE IN INCHES  
 DUAL [MM] DIMENSIONS  
 FOR REF ONLY

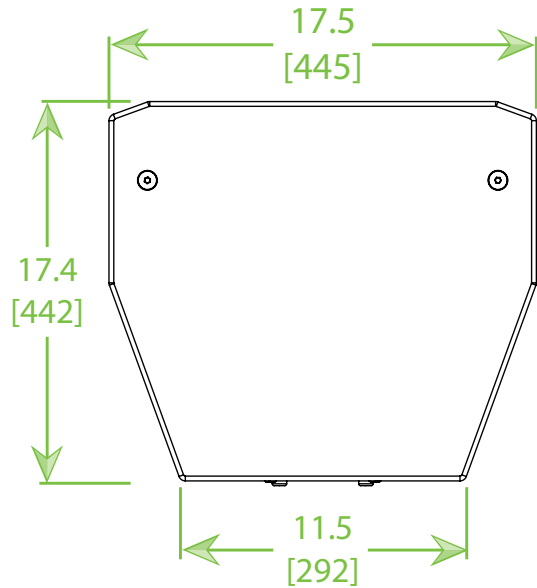
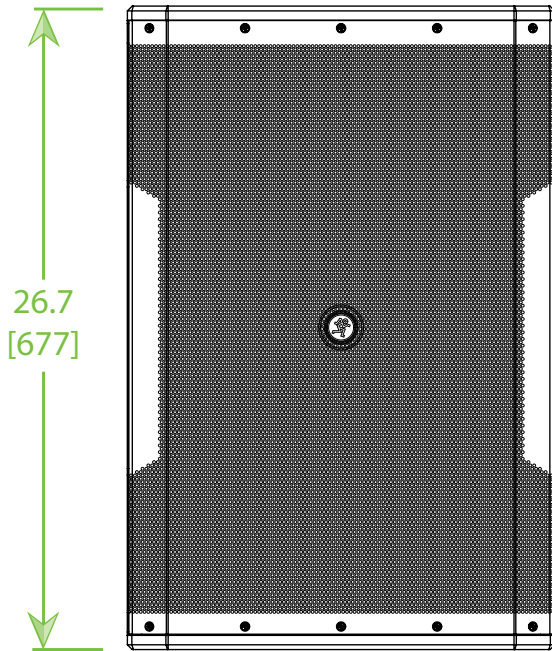
TOLERANCE IN INCHES  
 LINEAR  $\pm 0.13$  in /  $\pm 3.3$  mm  
 ANGLES  $\pm 1^\circ$

(X.XX) = REF DIMS  
 NO TOLERANCE IMPLIED

TSC = THEORETICAL SHARP CORNER

DIMENSIONS ACROSS CENTERLINES  
 TO BE SYMMETRICAL

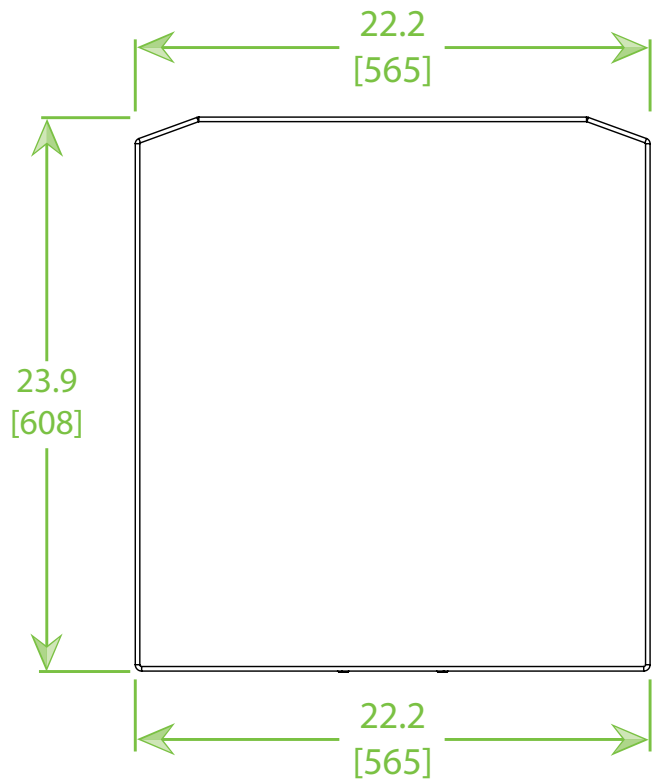
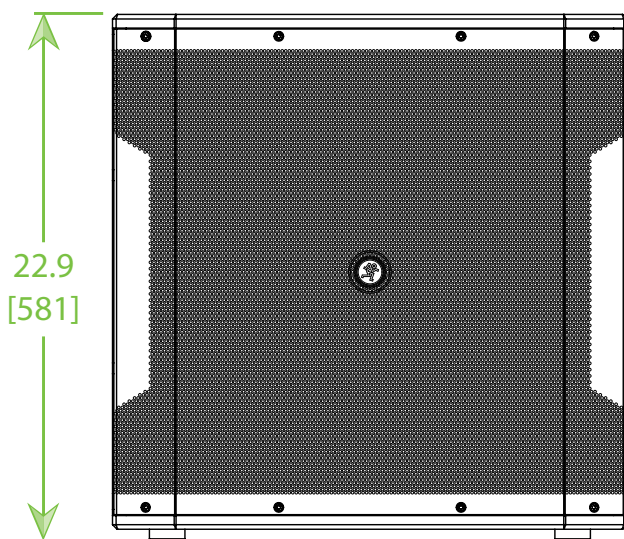
**iP-12 DIMENSIONS**


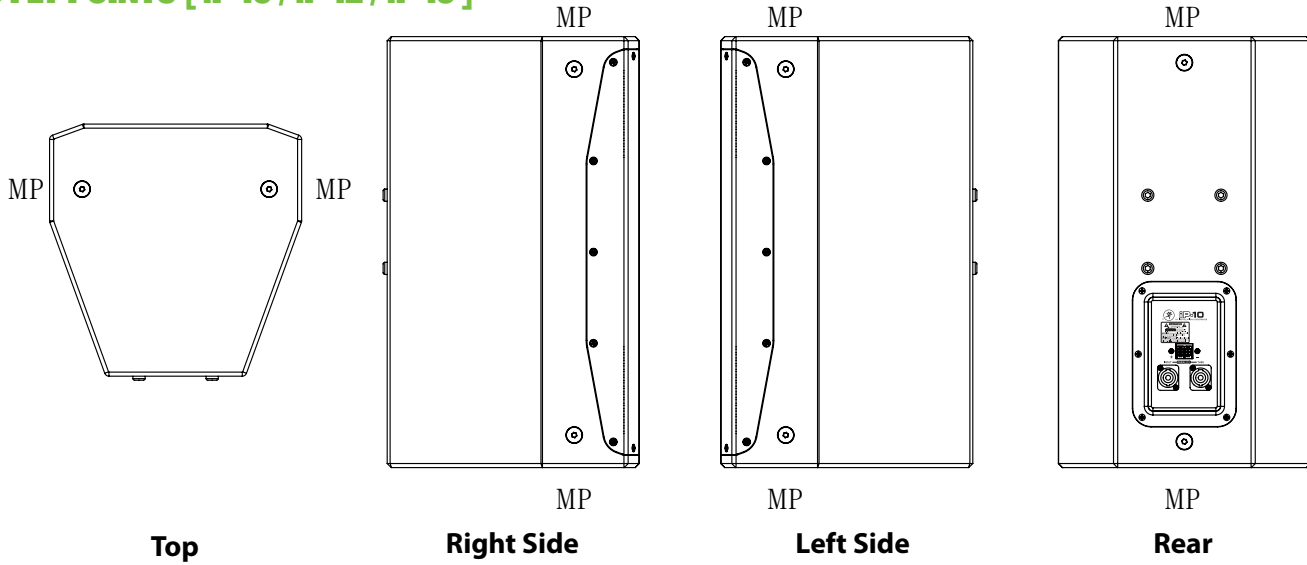
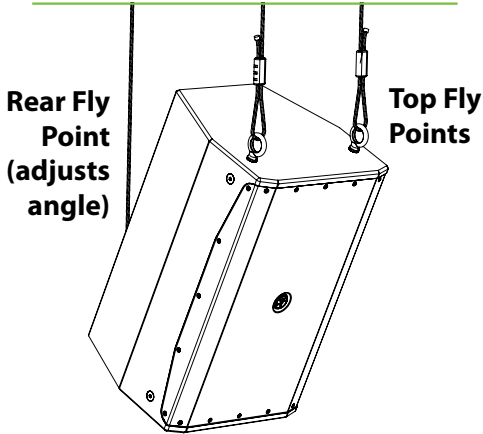
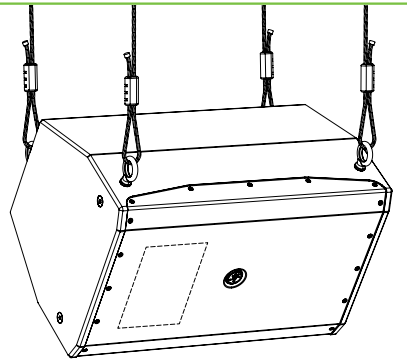
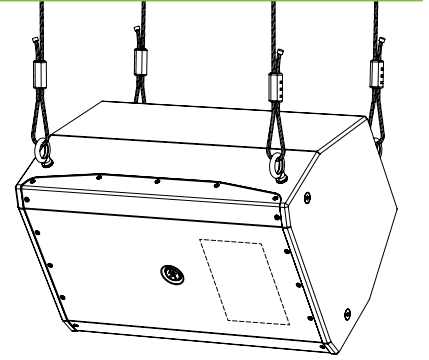
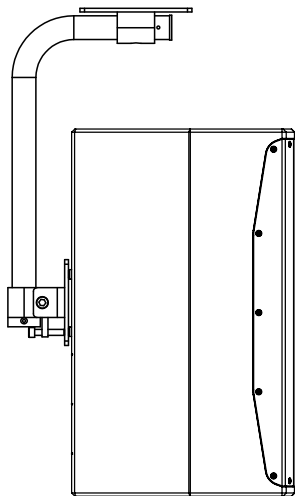
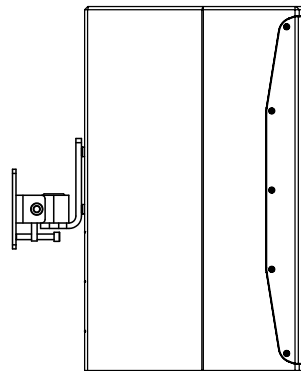
**iP-15 DIMENSIONS**

**iP-15 NOTES:**

1. WEIGHT APPROX. 45.2 lb [20.5 kg].
2. SHIPPING WEIGHT APPROX. 55.8 lb [25.3 kg].

**iP-18S NOTES:**

1. WEIGHT APPROX. 58.8 lb [26.7 kg].
2. SHIPPING WEIGHT APPROX. 76.7 lb [34.8 kg].

**iP-18S DIMENSIONS**


**8 FLY POINTS [ iP-10 / iP-12 / iP-15 ]**

**RIGGING**
**Vertical:**

**Horizontal Left:**

**Horizontal Right:**

**Ceiling mounted:**
**iP-CM100  
Variable-angle  
ceiling mount**

**Wall mounted:**
**iP-WM100  
Variable-angle  
wall mount**


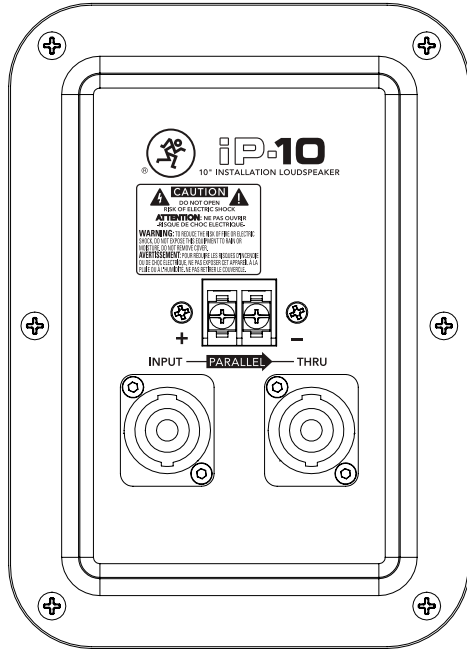


**MACKIE**

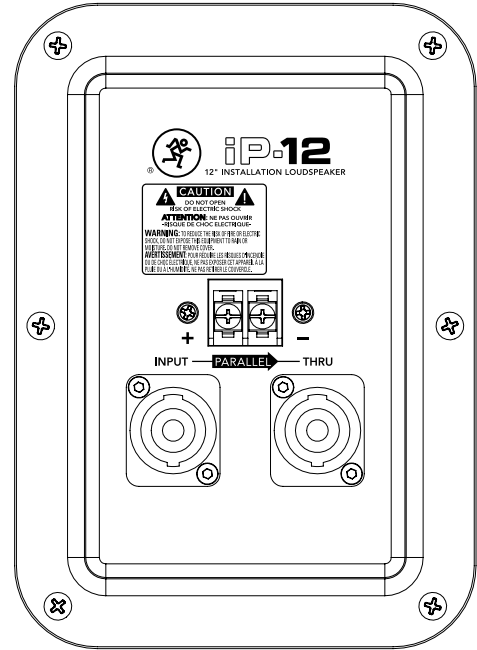
**iP-10 / iP-12  
iP-15 / iP-18S**

**iP Series  
Install Performance  
Loudspeakers**

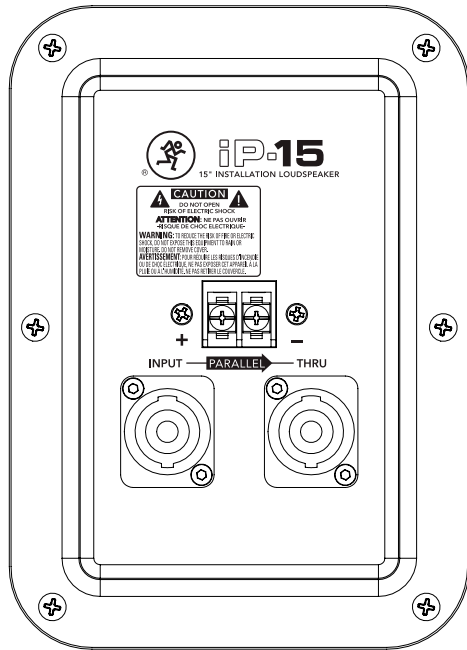
**iP-10 REAR PANEL**



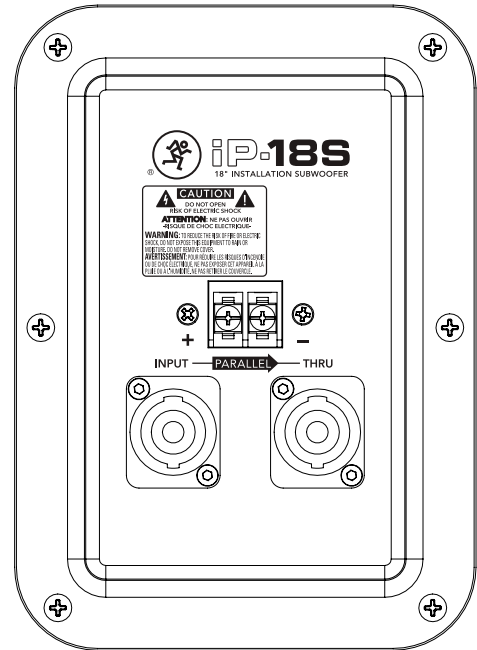
**iP-12 REAR PANEL**



**iP-15 REAR PANEL**



**iP-18S REAR PANEL**



LOUD Technologies Inc. is always striving to improve our products by incorporating new and improved materials, components, and manufacturing methods. Therefore, we reserve the right to change these specifications at any time without notice.

“Mackie” and the “Running Man” figure are registered trademarks of LOUD Technologies Inc. All other brands mentioned are trademarks or registered trademarks of their respective holders, and are hereby acknowledged.

©2014 LOUD Technologies Inc. All rights reserved.

Electronic files for this product are available at:  
[www.mackie.com](http://www.mackie.com)

Specification Sheet	iP_Series_SS.PDF
Owner's Manual	iP_Series_OM.PDF



[www.mackie.com](http://www.mackie.com)  
16220 Wood-Red Road NE  
Woodinville, WA 98072 USA  
800-898-3211, Fax 425-487-4337, [sales@mackie.com](mailto:sales@mackie.com)