



SPECIFICATIONS LA215

FEATURES

- Dual use main/monitor two-way system
- 12-in LF/2-in exit HF on 90° conical Wave Guide Plate™
- Integrated flytrack, suspension points and pole mount cup
- Internal passive crossover/filter network
- For portable use or permanent installation

DESCRIPTION

A 2-way full range system (passive LF/HF crossover) in a vented dual purpose (main/stage monitor) enclosure. Includes a 15-in woofer and a 2-in exit/3-in voice coil compression driver on a Wave Guide Plate™.

APPLICATIONS

The LA215 integrates with other LA Series loudspeakers to build an expandable total system. Includes a stand mount cup for use as a small main and rubber footpads for use as a stage monitor. Integrated handles and 3-position flytrack with integrated mounting/suspension points. Six Year Warranty.

Applications include:

- Ballroom Events
- Corporate Events
- Band PA

PERFORMANCE

Frequency Response (1 Watt @ 1m)		
±3 db	69 Hz to 18 kHz	
-10 dB	44 Hz	
Axial Sensitivity (dB SPL, 1 Watt @ 1m)		
97		
Impedance (Ohms)		
8		
Power Handling, AES Standard (Watts)		
Full Range	600	
Calculated Maximum Output (dB SPL @ 1m)		
Peak	130.8	
Long Term	124.8	
Nominal Coverage Angle, -6 dB Points (degrees)		
Conical	90	
Recommended High-Pass Frequency		
24 dB/Octave	40 Hz	



PHYSICAL

LF Subsystem	1x 15-in, vented
HF Subsystem	1x 2-in exit/3-in voice coil compression driver on Wave Guide Plate™
Configuration	2-Way, full range, dual purpose
Powering	Passive LF/HF crossover
Cabinet Type (shape)	Irregular pentagon (floor monitor)
Enclosure Materials	Baltic birch plywood
Finish	Black catalyzed polyurethane
Connectors	2x Neutrik NL4 Speakon
Suspension Hardware	(3) 3-position flytracks (2 top, 1 rear), (9) 3/8"-16 threaded mounting points (3 on top, 2 each on three sides), rubber feet (4 each, one side and bottom), stand mount cup (bottom)
Grille	Vinyl coated perforated steel
Options	179001 flyclip with hook 179002 flyclip with ring

Recommended Complementary Systems

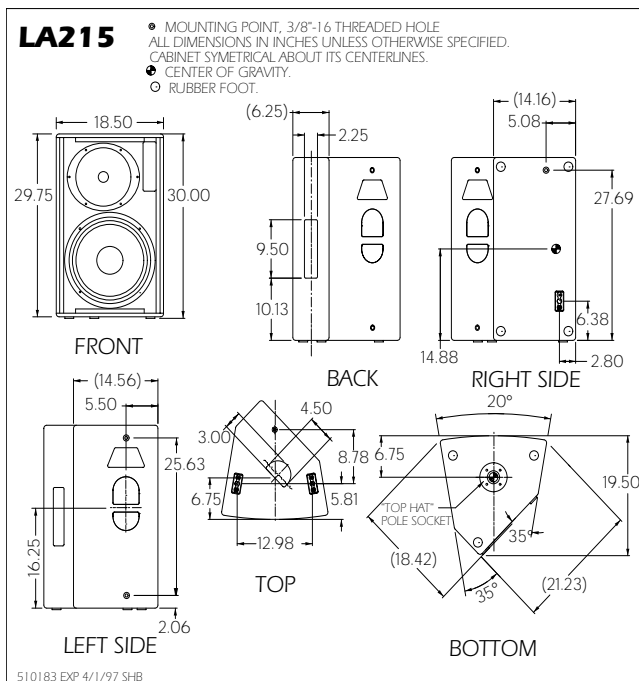
Sub	LA118	
Dimensions & Weights		
Height	29.75	756
Width	18.5	470
Depth (max)	19.5	495
Minimum Stage Height	18.44	468
Floor Angle(s)	50°	
Weights		
Net Weight	80	36.4
Shipping Weight	87	39.6





SPECIFICATIONS LA215

DIMENSIONAL DRAWING



A & E SPECIFICATIONS

The two-way full range loudspeaker systems shall incorporate a 15-in LF transducer and a 2-in exit/3-in voice coil compression driver HF transducer.

The LF driver shall be mounted in a vented enclosure tuned for optimum low frequency response. The HF driver shall be loaded on an axis-symmetrical wave guide plate with a nominal coverage pattern of 90° (conical). An internal passive filter network shall provide fourth order acoustical crossover and system equalization.

System frequency response shall vary no more than ± 3 dB from 69 Hz to 18 kHz measured on axis. The loudspeaker shall produce a Sound Pressure Level (SPL) of 97 dB SPL on axis at 1 meter with a power input of 1 Watt, and shall be capable of producing a peak output of 130.8 SPL on axis at 1 meter. The loudspeaker shall handle 600 Watts of amplifier power (AES Standard) and shall have a nominal impedance of 8 Ohms.

The loudspeaker enclosure shall be irregularly pentagonal in shape. Rubber footpads shall be provided on one side and one end. It shall be constructed of 1/2-in thickness void-free cross-grain-laminated Baltic birch plywood and shall employ extensive internal bracing. It shall be finished in black catalyzed polyurethane. Input connectors shall be dual Neutrik NL4 Speakon. The following mounting/suspension hardware shall be provided: three 3-position flytracks with integral 3/8"-16 threaded mounting points (2 top, 1 rear), six 3/8"-16 threaded mounting points (1 top, 1 rear, 2 each on two sides) and a recessed cup to accept a standmount pole. The front of the loudspeaker shall be covered with a vinyl coated perforated steel grille.

The two-way full range loudspeaker shall be the EAW model LA215.